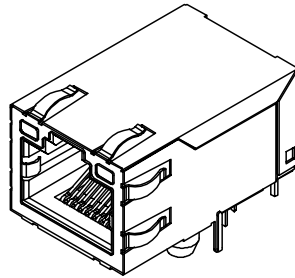
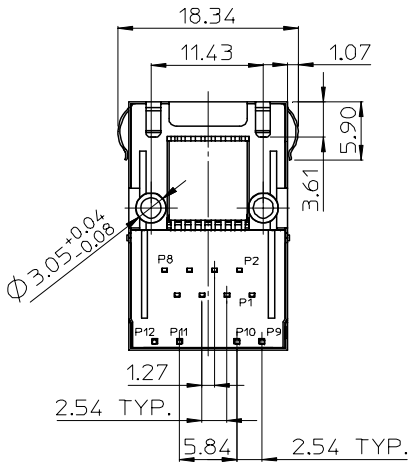
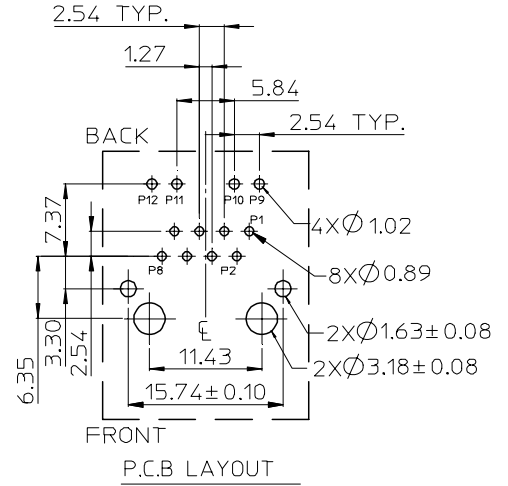
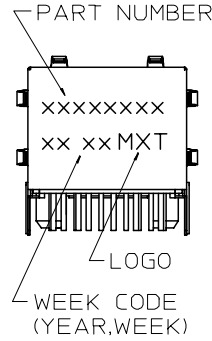
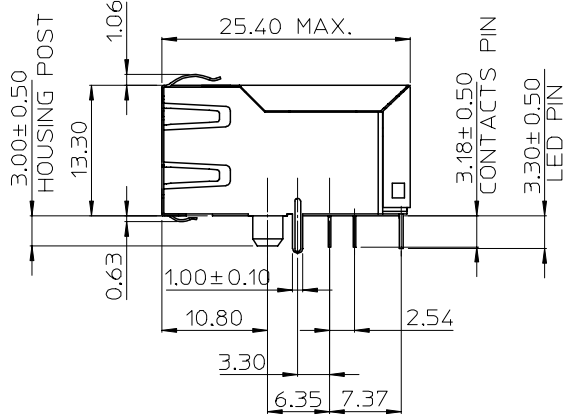
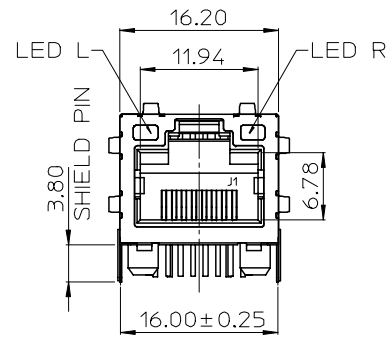


10 9 8 7 6 5 4 3 2 1



NOTES:

- MATERIAL:
METAL SHELL: BRASS
HOUSING: POLYAMIDE, GLASS FIBER FILLED, UL94-0.COLOR BLACK
INSERT: POLYAMIDE, GLASS FIBER FILLED, UL94-0.COLOR BLACK
TERMINAL: PHOSPHOR BRONZE
- PLATING:
TERMINAL:
CONTACT AREA: GOLD(Au), THICKNESS=50 MICROINCH/1.27 MICROMETER
SOLDER TAIL: TIN(Sn), THICKNESS=100 MICROINCH MINIMUM
UNDER PLATE: NICKEL (Ni).
- METAL SHELL:
SOLDER TAIL: TIN(Sn), THICKNESS=100 MICROINCH MINIMUM
UNDER PLATE: NICKEL (Ni), (SOLDERING AVAILABLE)
SURFACE APPEARANCE: BRIGHT.
- RECOMMENDED PCB THICKNESS: 1.60±0.05
- PRODUCT SPECIFICATION REFER TO PS-48025-005
- TEST SUMMARY REFER TO TS-48025-009
- PACKAGING SPECIFICATION REFER TO PK-48025-001
- LEAD FREE AND RoHS COMPLIANT PRODUCT.

P/N	LED COLOR	
	LEFT	RIGHT
48025-1090	GREEN	GREEN
48025-1190	GREEN	YELLOW

RoHS FOR 48025-1100	DESCRIPTION
EC NO: SH2007-0129	REV
DRWN: ALLIN	2006/10/04
CHKD:	2006/10/04
APPR: WMSCHANG	2006/10/04

QUALITY SYMBOLS	DESCRIPTION
▽=0	
▽=0	

GENERAL TOLERANCES (UNLESS SPECIFIED)	DIMENSION STYLE	SCALE	DESIGN UNITS	THIRD ANGLE PROJECTION
	MM ONLY		METRIC	
	mm			
	INCH			
4 PLACES ±---	±---			
3 PLACES ±---	±---			
2 PLACES ±0.25	±---			
1 PLACE ±0.25	±---			
	ANGULAR ± 3 °			
DRAFT WHERE APPLICABLE MUST REMAIN WITHIN DIMENSIONS				

DRAWN BY	DATE	TITLE
LINDA	2006/08/08	MODULAR JACK WITH INTEGRATED MAGNETICS WITH LED
CHECKED BY	DATE	
ALLEN LIN	2006/08/10	
APPROVED BY	DATE	
ERICK LAN	2006/08/10	
MATERIAL NO.	DOCUMENT NO.	SHEET NO.
SEE TABLE	SD-48025-009	1 OF 2

MOLEX INCORPORATED	
THIS DRAWING CONTAINS INFORMATION THAT IS PROPRIETARY TO MOLEX INCORPORATED AND SHOULD NOT BE USED WITHOUT WRITTEN PERMISSION	

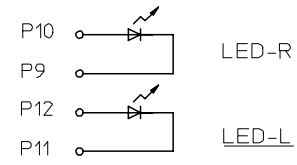
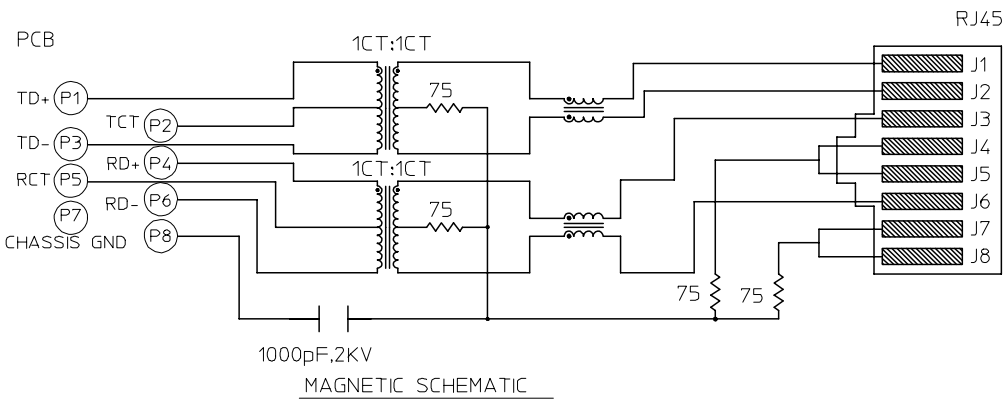
9 8 7 6 5 4 3 2 1

MAGNETIC ELECTRICAL SPECIFICATIONS:

- 1.0 TURNS RATIO:(P4-P5-P6):(J3-J6):1CT:1CT
(P3-P2-P1):(J1-J2):1CT:1CT
- 2.0 INDUCTANCE:(P4-P6):350uH MIN. @0.1V,100KHZ,8mA DC Bias.
(P3-P1):350uH MIN. @0.1V,100KHZ,8mA DC Bias.
- 3.0 LEAKAGE INDUCTANCE:P6-P5-P4(WITH J6 AND J3 SHORT):0.3 MAX.@1MHZ.
P3-P2-P1(WITH J2 AND J1 SHORT):0.3 MAX.@1MHZ.
- 4.0 INTERWINDING CAPACITANCE:(P6,P5,P4) TO (J6,J3):30pf MAX @1MHZ.
(P3,P2,P1) TO (J2,J1):30pf MAX @1MHZ.
- 5.0 DC RESISTANCE:(J6-J3)=(J2-J1):1.3 ohms Max.
- 6.0 RETURN LOSS:(P4-P6)(P1-P3)
1MHz TO 30MHz:18dB min.
30MHz TO 80MHz:12dB min.
NOTE:100 OHMS CONNECTED TO (J2-J1) OR (J3-J6).
- 7.0 HI-POT:(J1,J2) TO (P1,P3):1500 VAC OR 2250 VDC.
(J3,J6) TO (P4,P6):1500 VAC OR 2250 VDC.
- 8.0 INSERTION LOSS:1.1 dB MAX.
100KHz TO 100MHz.
- 9.0 CROSS TALK:1-100 MHZ:30 dB MIN.
- 10.0 COMMON TO COMMON MODE REJECTION:1MHz TO 100MHz:35 dB MIN.

LED ELECTRICAL SPECIFICATION

PARAMETER	YELLOW (TYP.)	GREEN (TYP.)	UNITS	TEST CONDITIONS
POWER DISSIPATION	105	105	mW	
REVERSE VOLTAGE	5	5	V	
PEAK WAVELENGTH	585	565	nm	I _F =20mA
FORWARD VOLTAGE	2.1 MAX.=2.5	2.2 MAX.=2.5	V	I _F =20mA



SEE SHEET 1 EC NO: SH2007-0129 DRWN:ALLIN CHKD: APPR:WMSCHANG 2006/10/04 2006/10/04 2006/10/04	QUALITY SYMBOLS ▽=0 ▽=0	GENERAL TOLERANCES (UNLESS SPECIFIED) 4 PLACES ± --- ± --- 3 PLACES ± --- ± --- 2 PLACES ± 0.25 ± --- 1 PLACE ± 0.25 ± --- ANGULAR ± 3 °	DIMENSION STYLE MM ONLY	SCALE 1:1	DESIGN UNITS METRIC	THIRD ANGLE PROJECTION	
	DRAWN BY LINDA	DATE 2006/08/08	TITLE MODULAR JACK WITH INTEGRATED MAGNETICS WITH LED				
	CHECKED BY ALLEN LIN	DATE 2006/08/10	MOLEX INCORPORATED				
	APPROVED BY ERICK LAN	DATE 2006/08/10	MATERIAL NO. SEE TABLE	DOCUMENT NO. SD-48025-009	SHEET NO. 2 OF 2		